

Interface PCB

Accessory Connector

PROCESSOR
252 SHEET 4
DSP AUDIO

RECEIVER

SYNTH-VCO

POWER-AMP

VCO
sheet 6

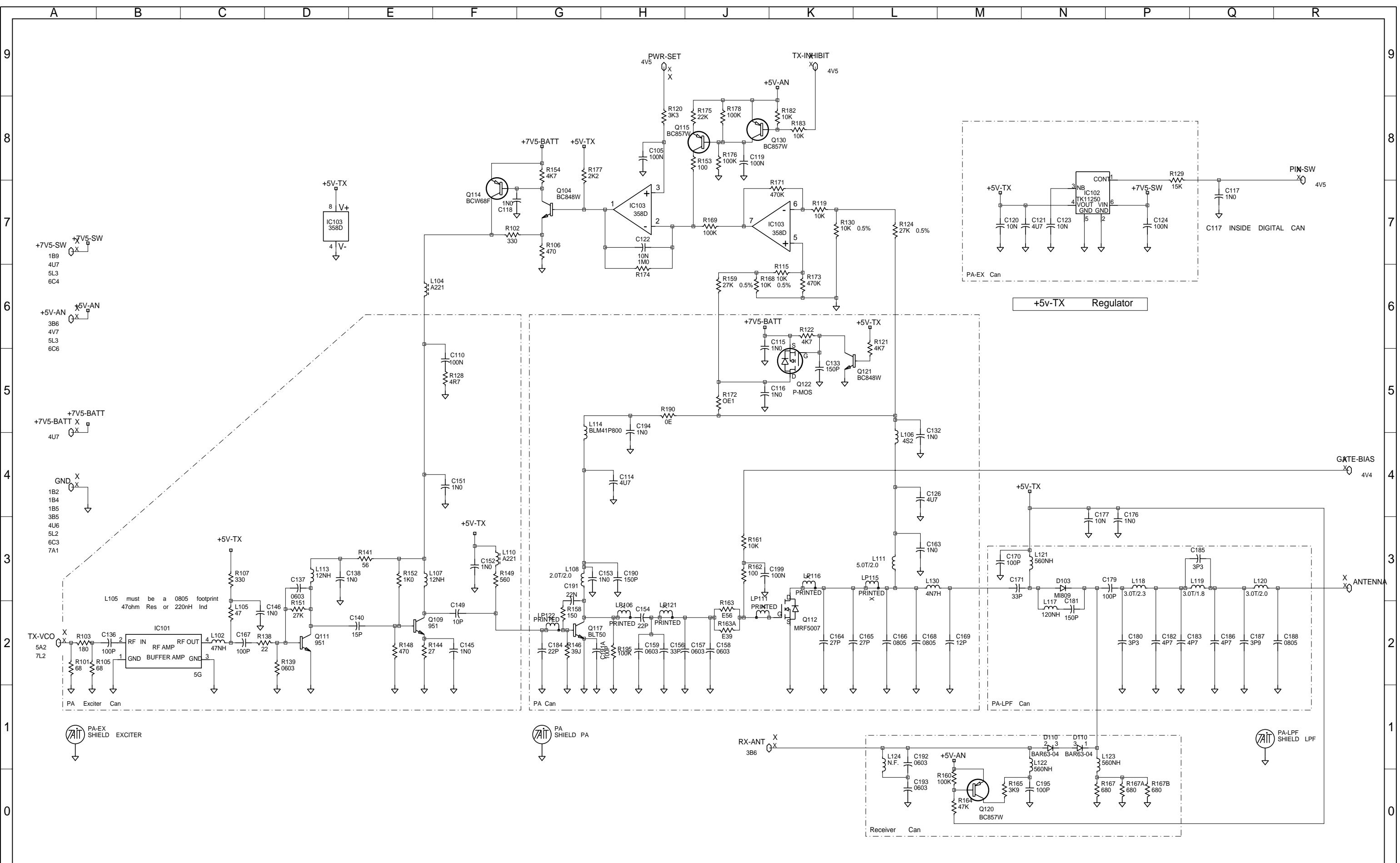


VHF

Tait Orca

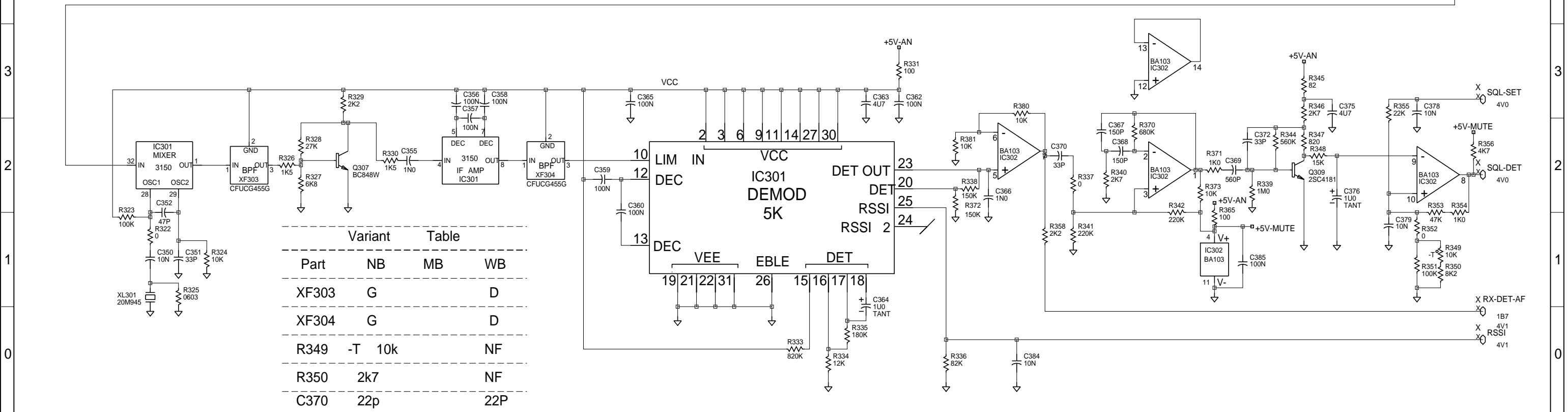
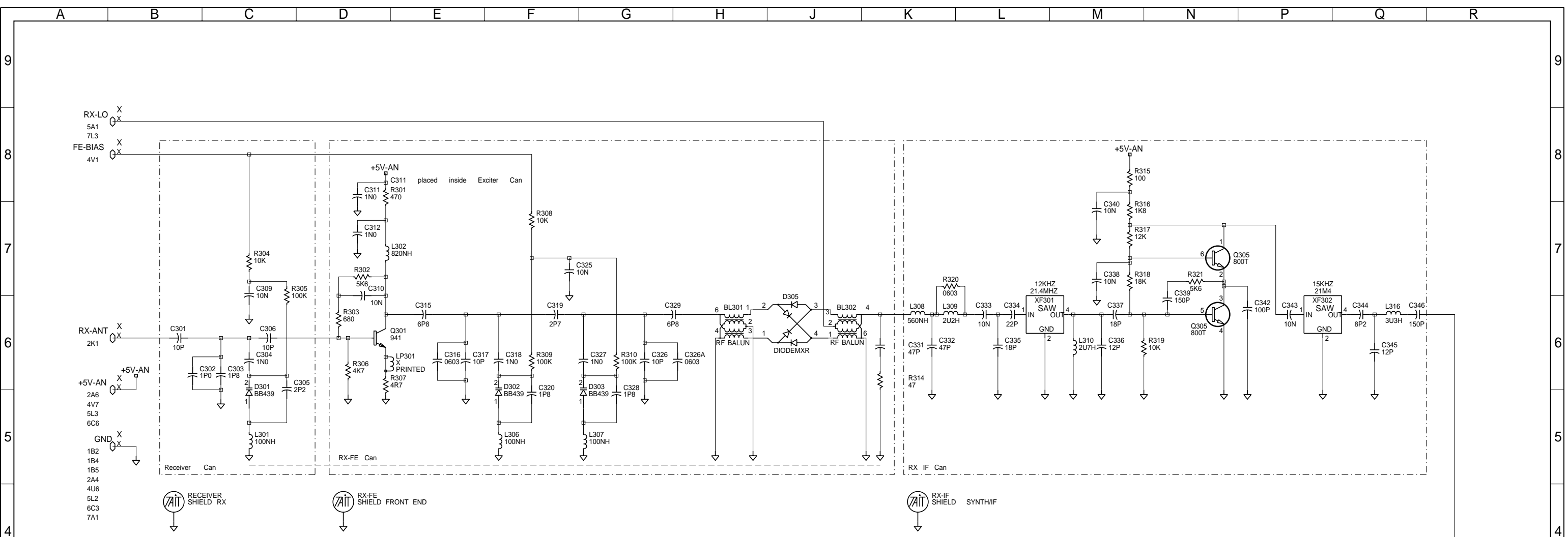
© TAIT ELECTRONICS	
ORCA	:TP010-3122 136-174MHZ SYSTEM DIAGRAM
IPN: 220-01401-02	ISSUE: A 2.SC. 1
PROJECT: ORCA	DESIGNER: DBH
FILE NAME: 140102A	FILE DATE: 30-3-98
	NO. SHEETS: 7

02 A	CLOINED FROM UHF -07B AND UPDATED	DBH			
REV/ISS	AMENDMENTS	DRAWN	CHKD	D.O.	APVD
A					



TAIT ELECTRONICS			
ORCA		:TP010-3122 136-174MHZ POWER AMPLIFIER	
IPN:	ISSUE:	ID:	
220-01401-02	A	2.S.C. 2	
PROJECT:	DESIGNER:	FILE NAME:	FILE DATE:
ORCA	DBH	140102A	30-3-98
			NO.SHEETS: 7

REV/ISS	AMENDMENTS	DRAWN	CHKD	D.O.	APVD	DATE
A						

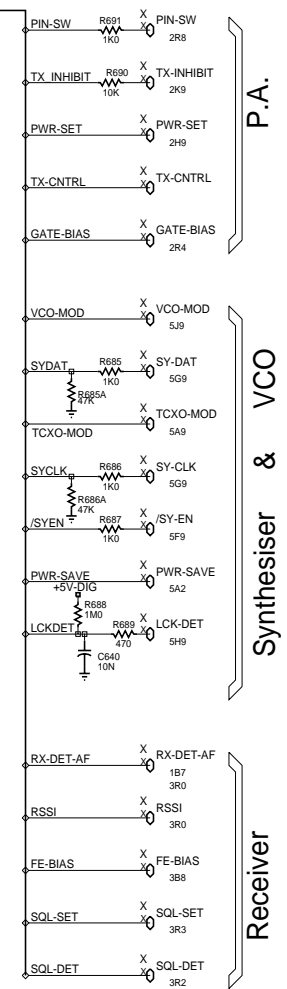
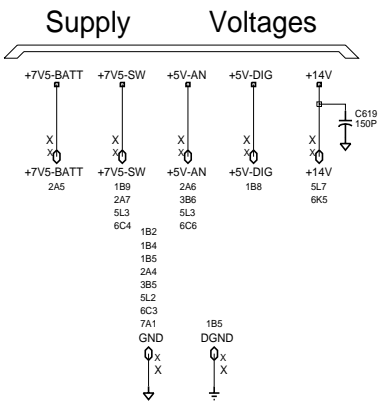
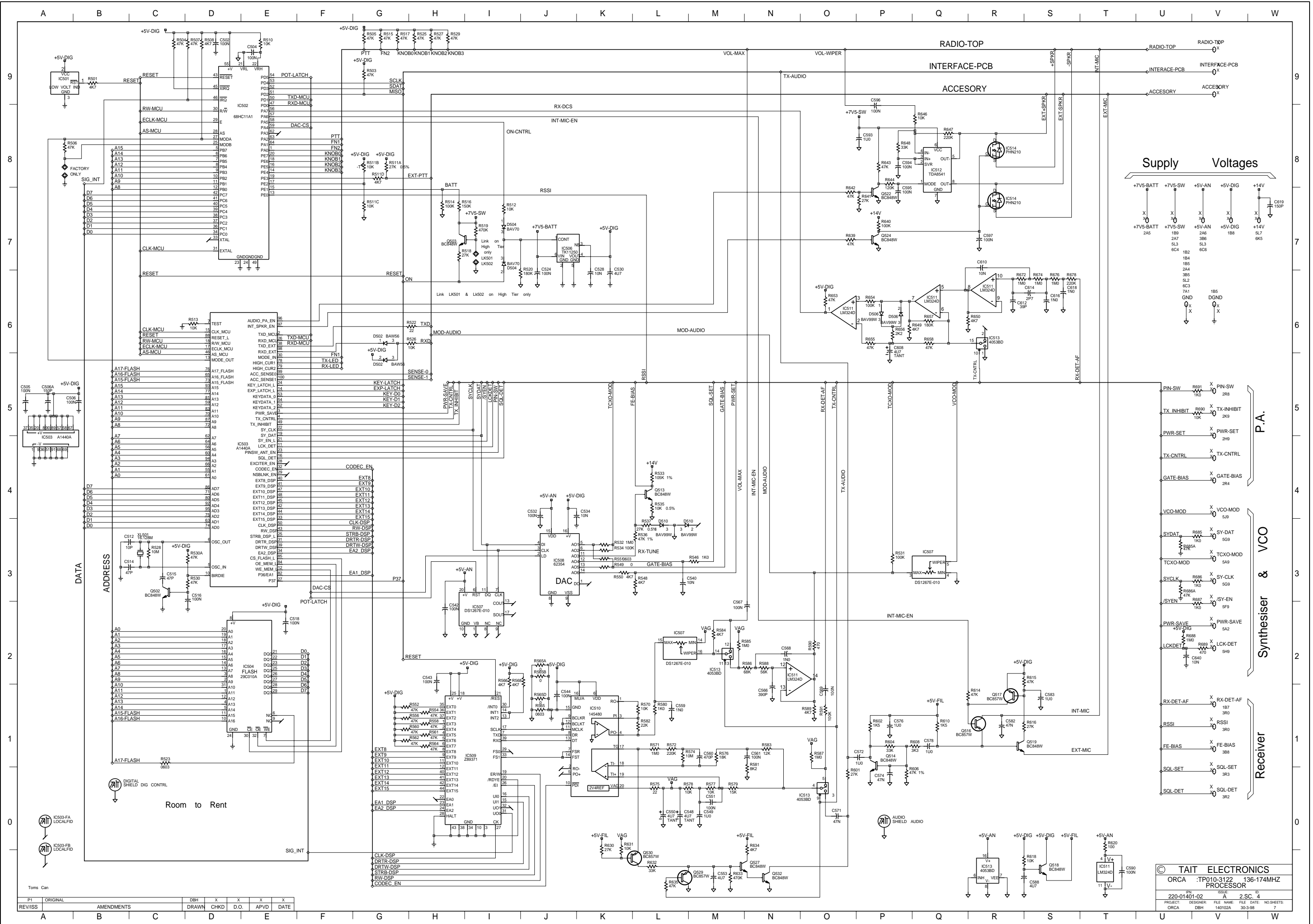


Variant Table

Part	NB	MB	WB
XF303	G		D
XF304	G		D
R349	-T	10k	NF
R350	2k7		NF
C370	22p		22P
C369	330P		330P

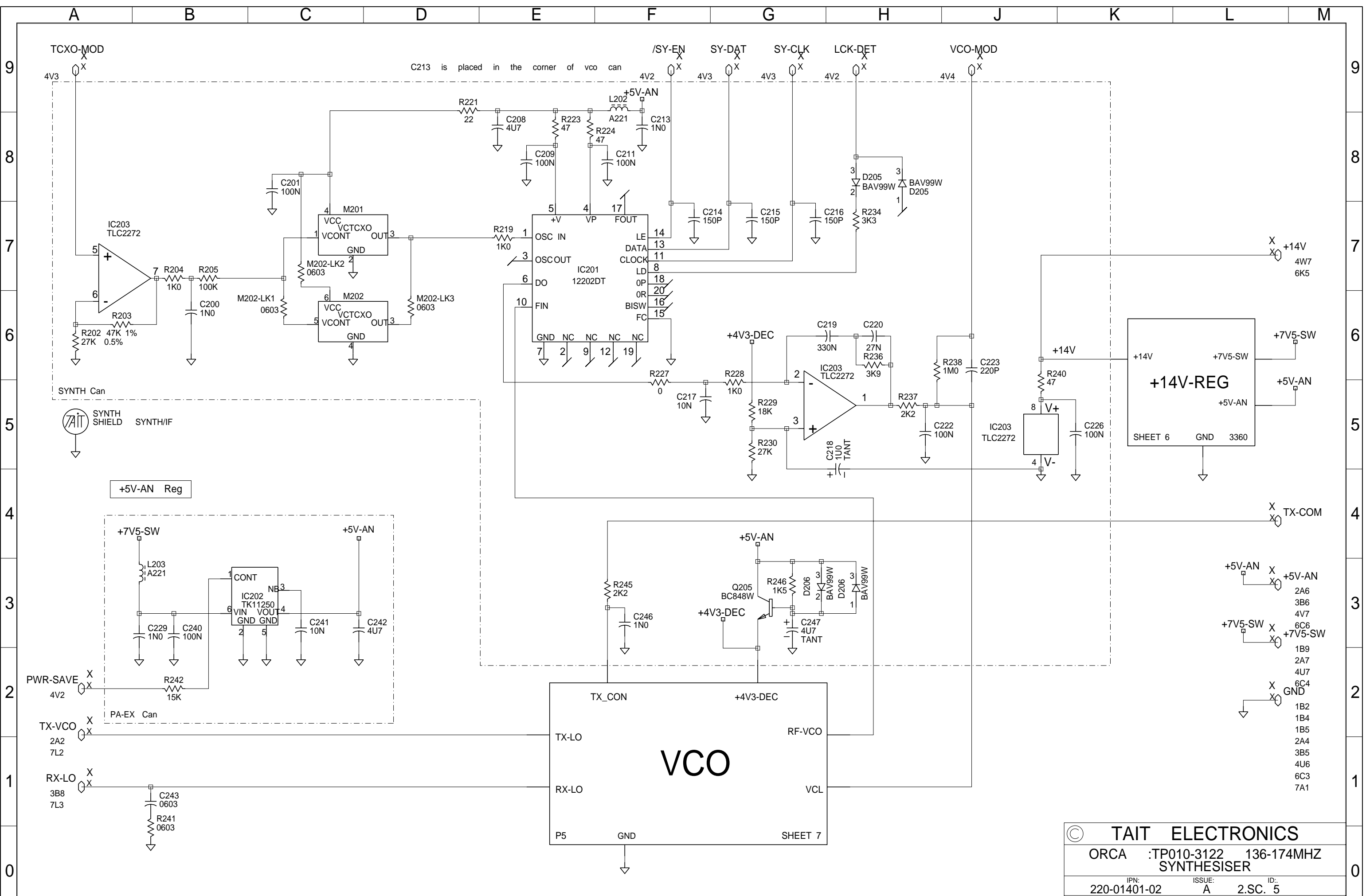
© TAIT ELECTRONICS
ORCA :TP010-3122 136-174MHZ RECEIVER
IPN: 220-01401-02 ISSUE: A ID: 2.S.C. 3
PROJECT: ORCA DESIGNER: DBH FILE NAME: 140102A DATE: 30-3-98 NO.SHEETS: 7

REV/ISS	AMENDMENTS	DRAWN	CHKD	D.O.	APVD	DATE
A						



REV/ISS	ORIGINAL	AMENDMENTS	DBH	X	X	X	X
			DRAWN	CHKD	D.O.	APVD	DATE

© TAIT ELECTRONICS
 ORCA :TP010-3122 136-174MHZ
 PROCESSOR
 220-01401-02 2-SC 4
 PROJECT: ORCA DESIGNER: DBH FILE NAME: 140102A FILE DATE: 30-3-98 NO SHEETS: 7



© TAIT ELECTRONICS
 ORCA :TP010-3122 136-174MHZ SYNTHESISER
 IPN: 220-01401-02 ISSUE: A ID: 2.SC. 5
 PROJECT: ORCA DESIGNER: DBH FILE NAME: 140102A FILE DATE: 30-3-98 NO.SHEETS: 7

REV/ISS	AMENDMENTS	DRAWN	CHKD	D.O.	APVD	DATE

- X 2A6 +5V-AN
- X 3B6 +5V-AN
- X 4V7 +5V-AN
- X 6C6 +7V5-SW
- X 1B9 +7V5-SW
- X 2A7 +7V5-SW
- X 4U7 +7V5-SW
- X 6C4 GND
- X 1B2
- X 1B4
- X 1B5
- X 2A4
- X 3B5
- X 4U6
- X 6C3
- X 7A1

VCO
 TX-LO TX-CON RF-VCO VCL
 RX-LO P5 GND
 SHEET 7

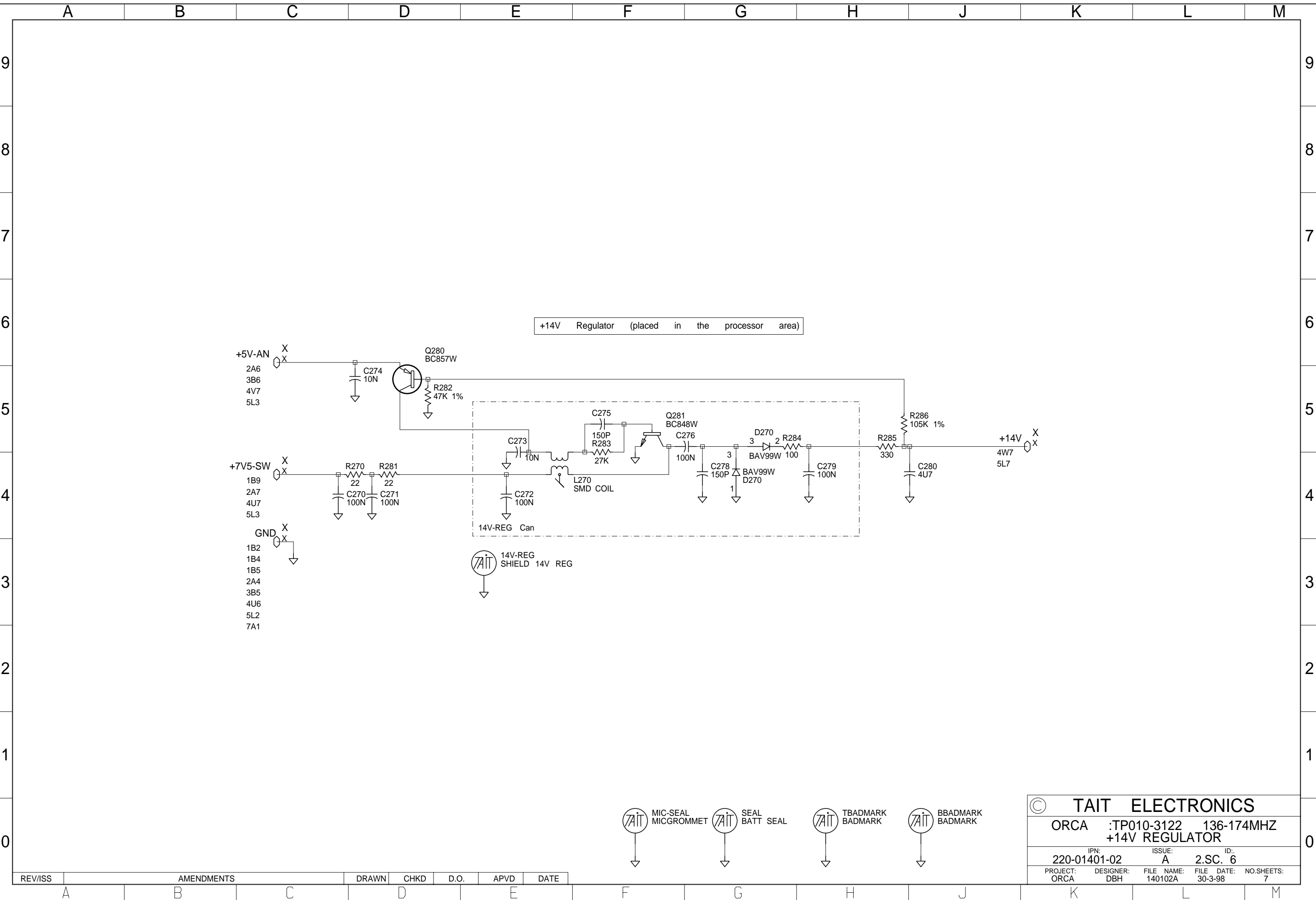
+14V-REG
 +14V +7V5-SW +5V-AN
 SHEET 6 GND 3360

+5V-AN Reg

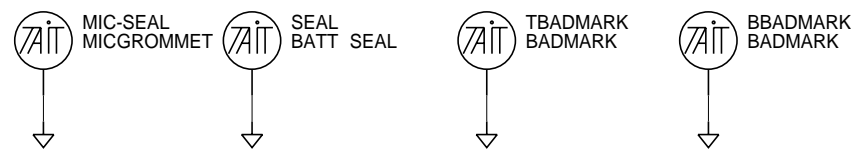
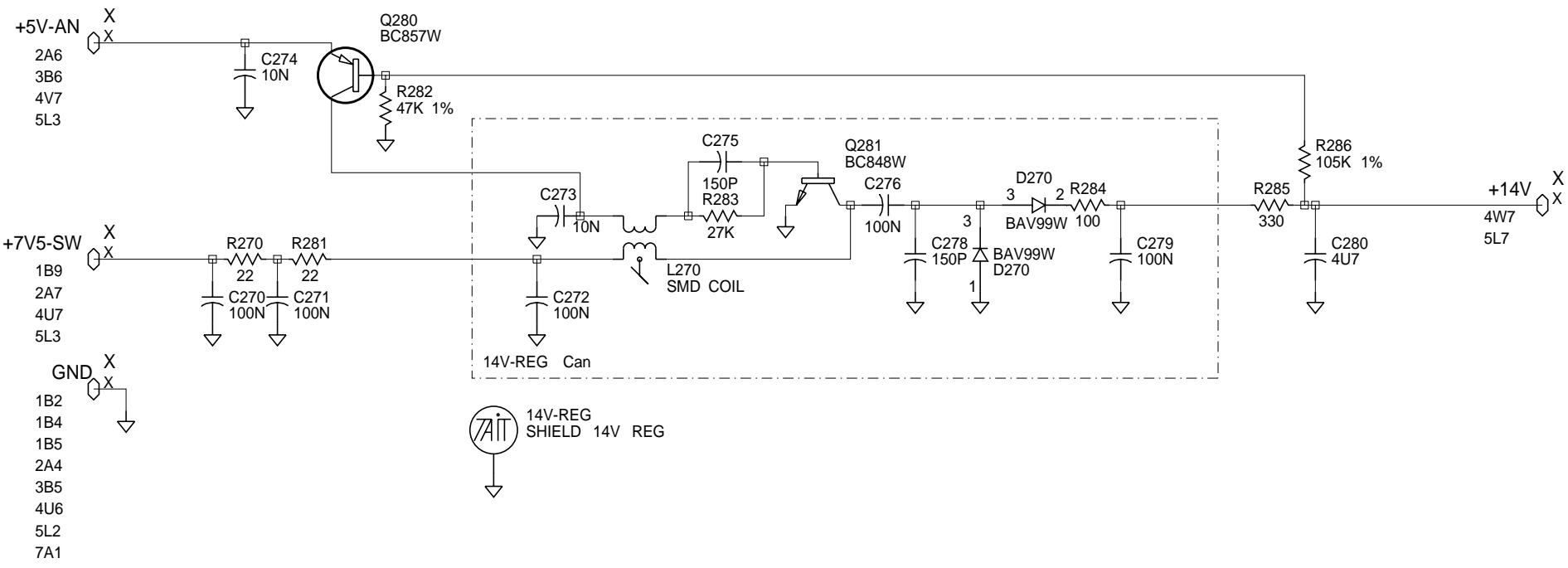
PA-EX Can
 +7V5-SW +5V-AN
 L203 A221
 IC202 TK11250
 CONT VIN VOUT
 GND GND
 C229 1N0 C240 100N
 C241 10N C242 4U7
 R242 15K

SYNTH Can
 SYNTH SHIELD SYNTH/IF
 TAIT

C213 is placed in the corner of vco can

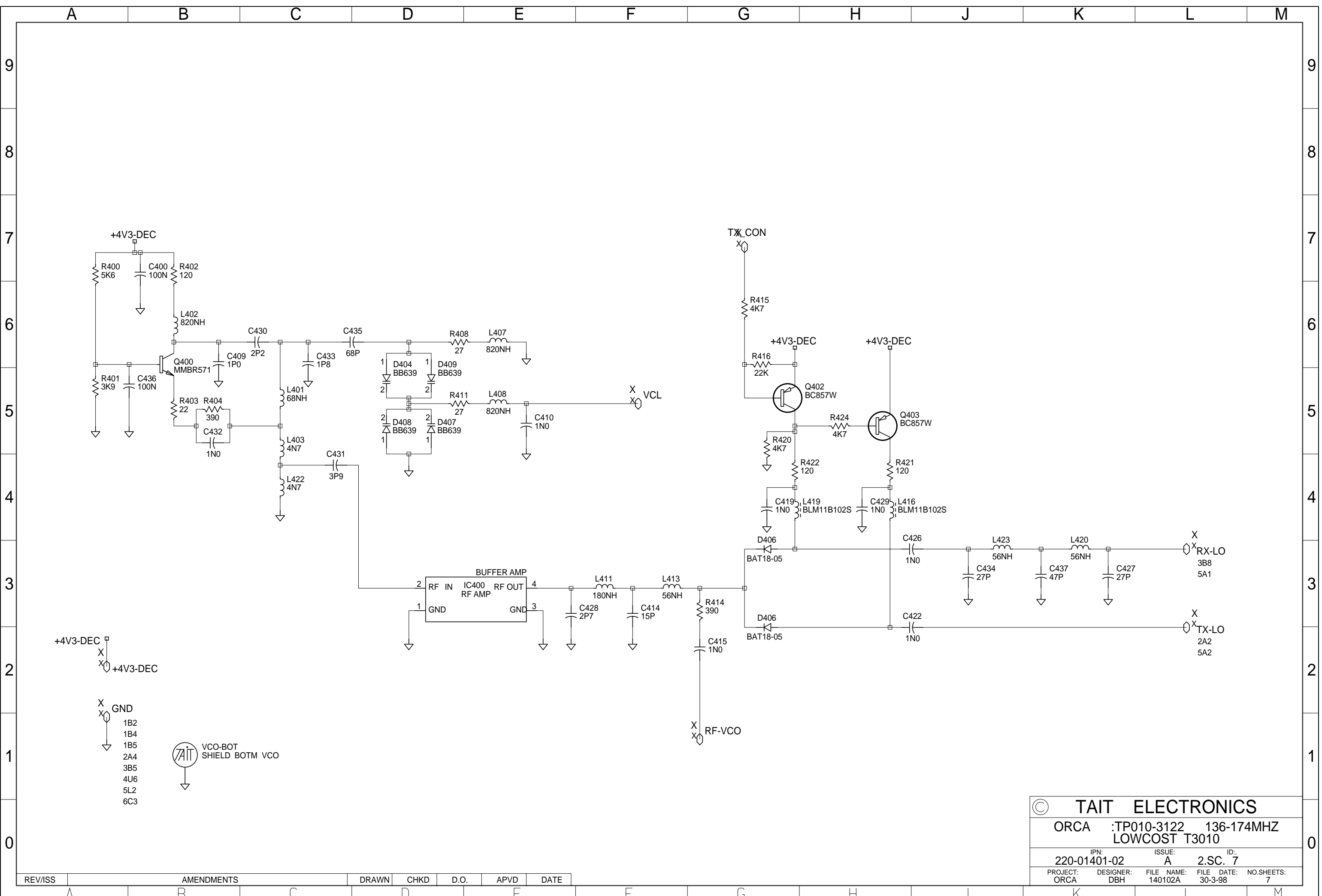


+14V Regulator (placed in the processor area)



© TAIT ELECTRONICS				
ORCA	:TP010-3122	136-174MHZ		
+14V REGULATOR				
IPN:	ISSUE:	ID:		
220-01401-02	A	2.SC. 6		
PROJECT:	DESIGNER:	FILE NAME:	FILE DATE:	NO.SHEETS:
ORCA	DBH	140102A	30-3-98	7

REV/ISS	AMENDMENTS	DRAWN	CHKD	D.O.	APVD	DATE
---------	------------	-------	------	------	------	------



- +4V3-DEC
- X
- X
- +4V3-DEC
- X
- X
- GND
- 1B2
- 1B4
- 1B5
- 2A4
- 3B5
- 4U6
- 5L2
- 6C3

VCO-BOT
SHIELD BOTM VCO

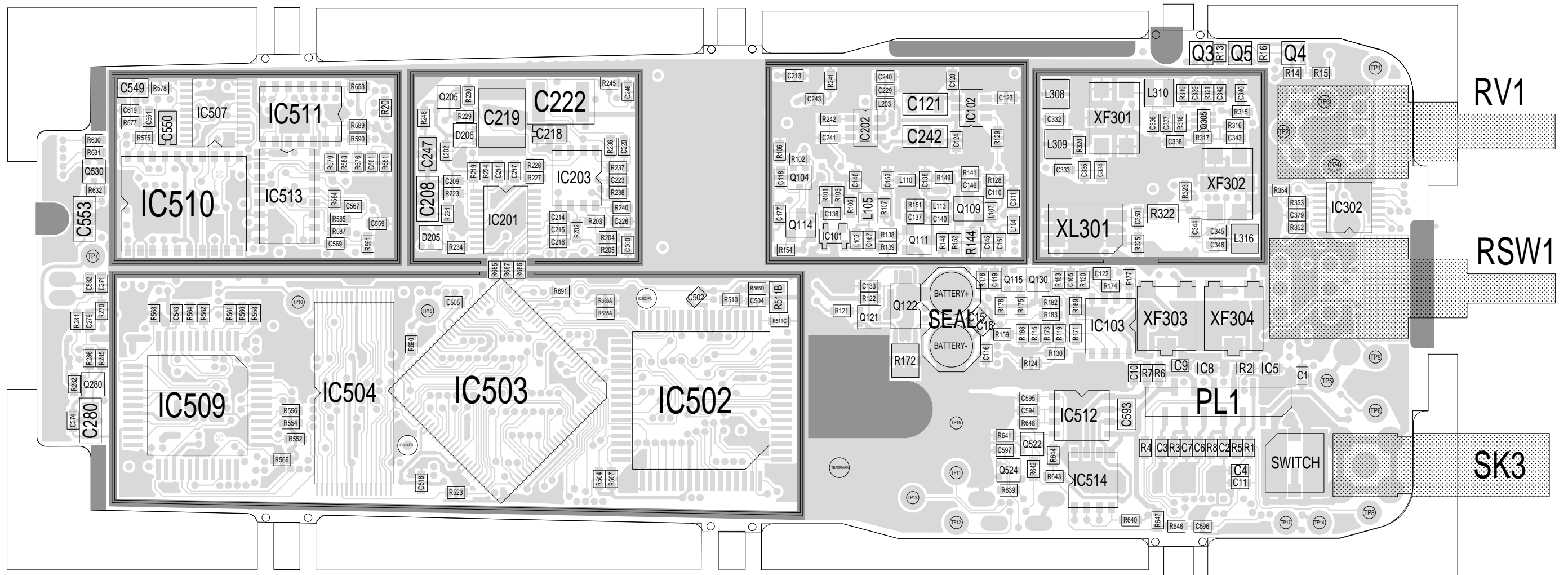
© TAIT ELECTRONICS

ORCA :TP010-3122 136-174MHZ
LOWCOST T3010

IPN: 220-01401-02 ISSUE: A ID: 2.SC. 7

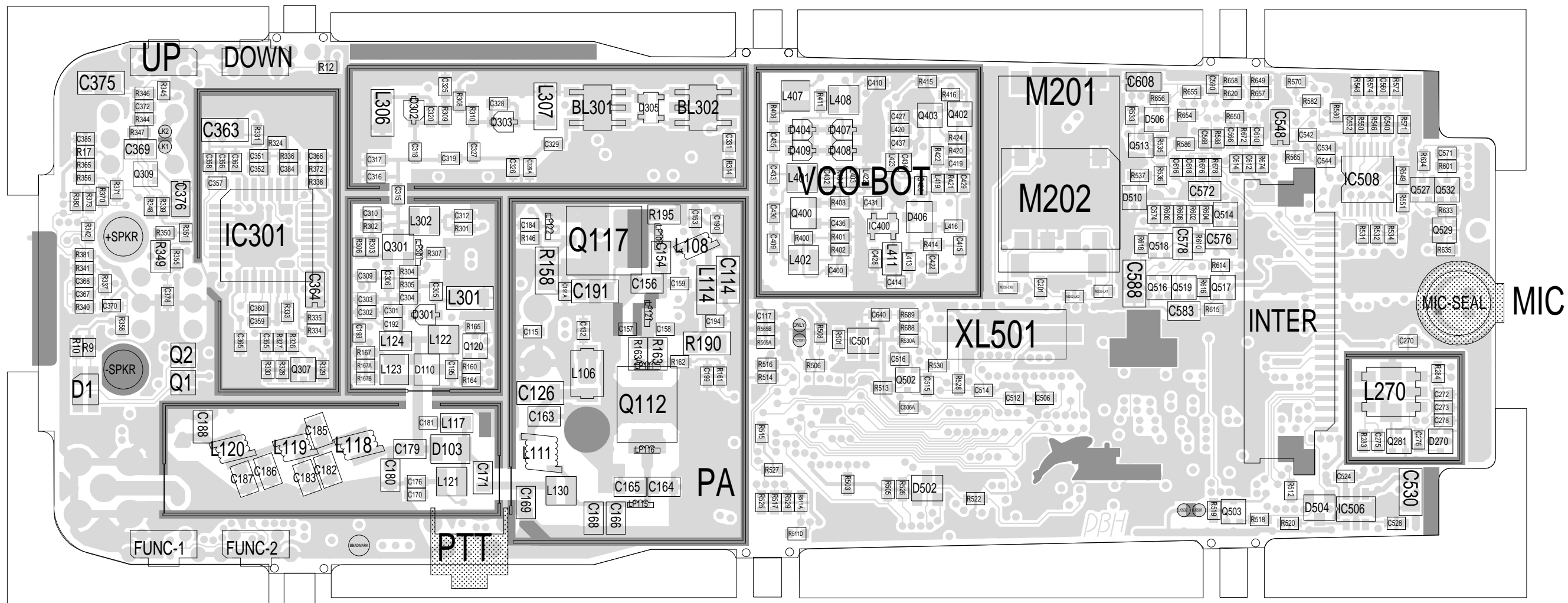
PROJECT: ORCA DESIGNER: DBH FILE NAME: 140102A FILE DATE: 30-3-98 NO.SHEETS: 7

REV/ISS	AMENDMENTS	DRAWN	CHKD	D.O.	APVD	DATE



TAIT ELECTRONICS	IPN: 220-01401-02	ISS: -02A	ID: 1.TA	DATE: 30 Mar 1998
ORCA VHF PCB LAYOUT - TOP SIDE				

Scale: 2.3:1 ; Rotation: 0 degrees



TAIT ELECTRONICS	IPN: 220-01401-02	ISS: -02A	ID: 6.BA	DATE: 30 Mar 1998
	ORCA VHF PCB LAYOUT - BOTTOM SIDE			

Scale: 2.3:1 ; Rotation: 0 degrees